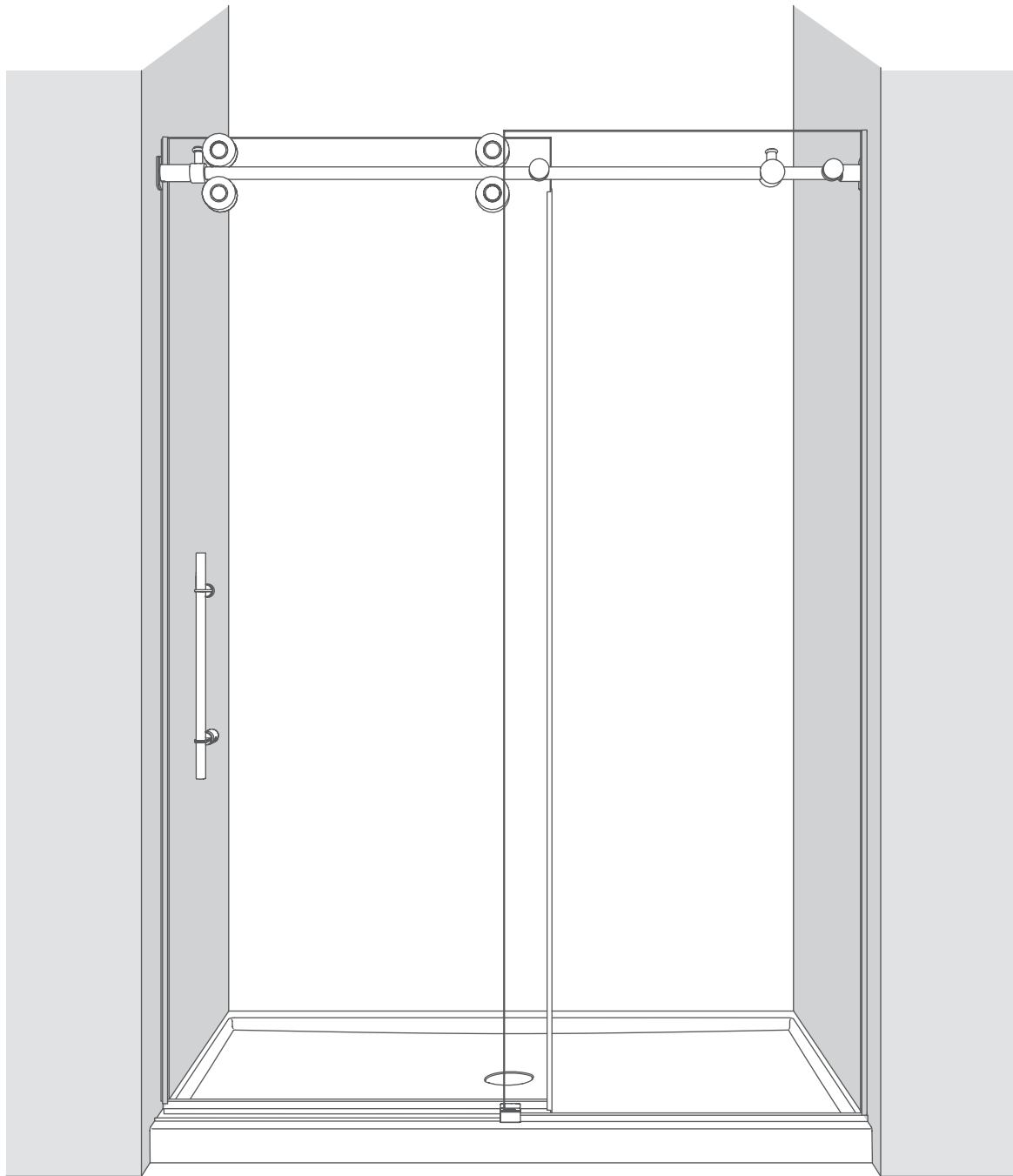
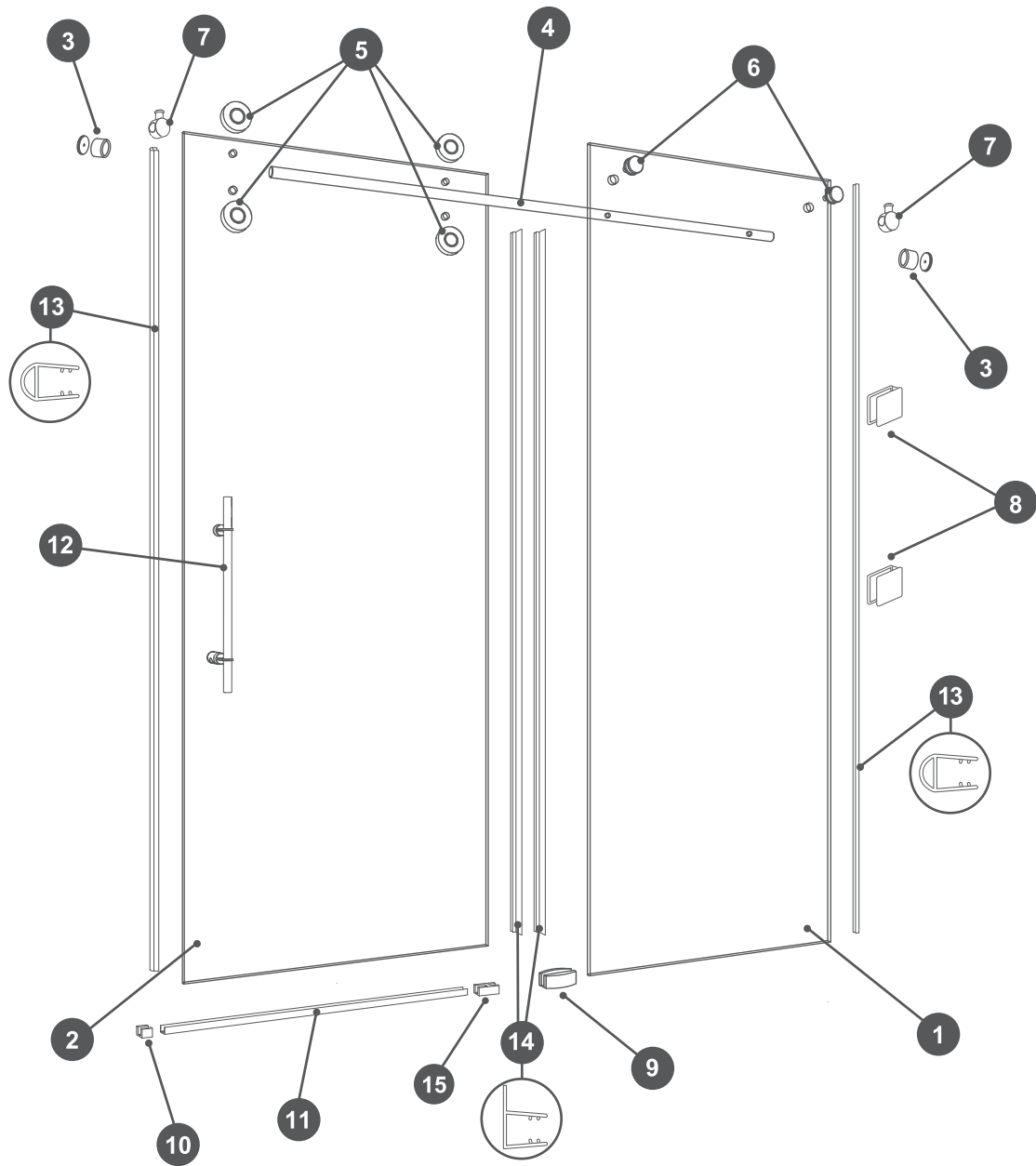


# VITRA SHOWER S1200

## Shower Door Installation Guide

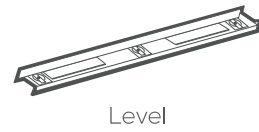
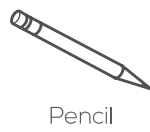
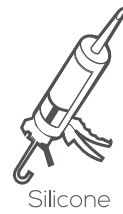
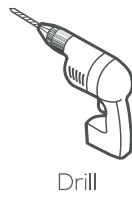


**Shower**<sup>vitra</sup>



### COMPONENTS

1 Stationary Glass Panel	2 Sliding Glass Door	3 Wall Mount Bracket	4 Guide Rail	5 Roller
6 Stationary Glass Bracket	7 Door Stopper	8 Wall Bracket	9 Floor Guide	10 Threshold Holder
11 Anti-splash Threshold	12 Door Handle	13 Seal Strip 1	14 Seal Strip 2	15 Threshold Clamp



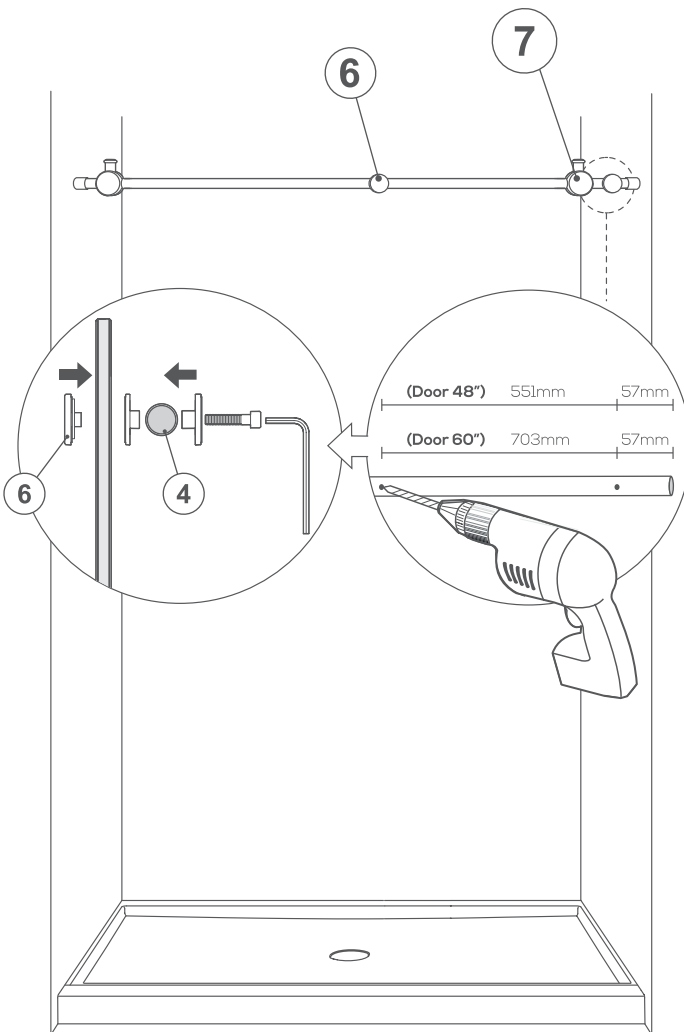
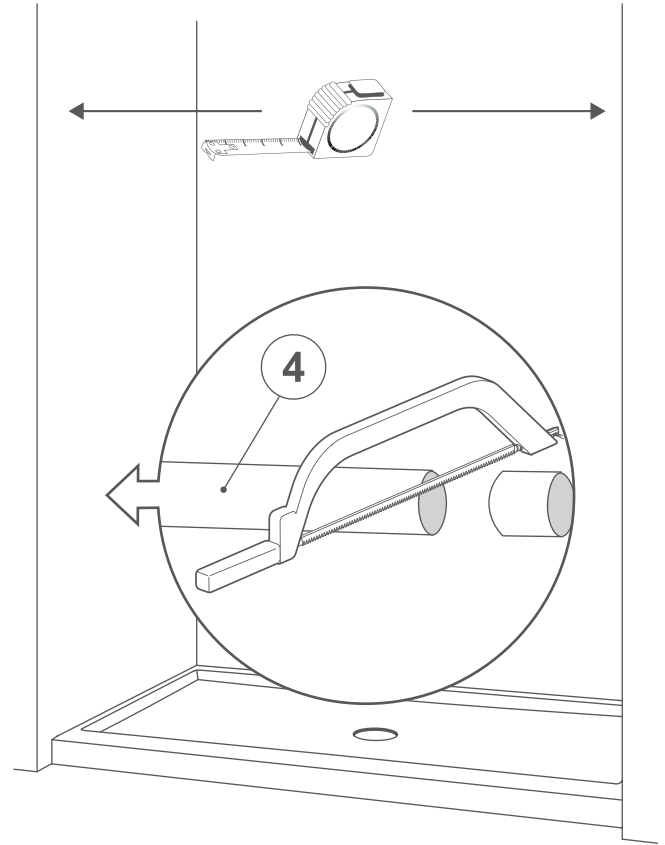
**STEP 1**

Measure the distance between the two walls where you wish to install your VitraShower door. This measurement should be the same as that of the shower door model you ordered. Up to 1 in. (2.54cm) out of plumb installation is possible.

**STEP 2**

Once you have obtained the measurement of the opening where the shower door will be installed, cut-off one of the ends of the guide rail **(4)**.

To do so, start by marking the measurement of the opening on the guide rail and subtracting  $\frac{1}{4}$ " to it. This is done to ensure that the guide rail can be installed properly without getting stuck on the opening while handling it.



**STEP 3**

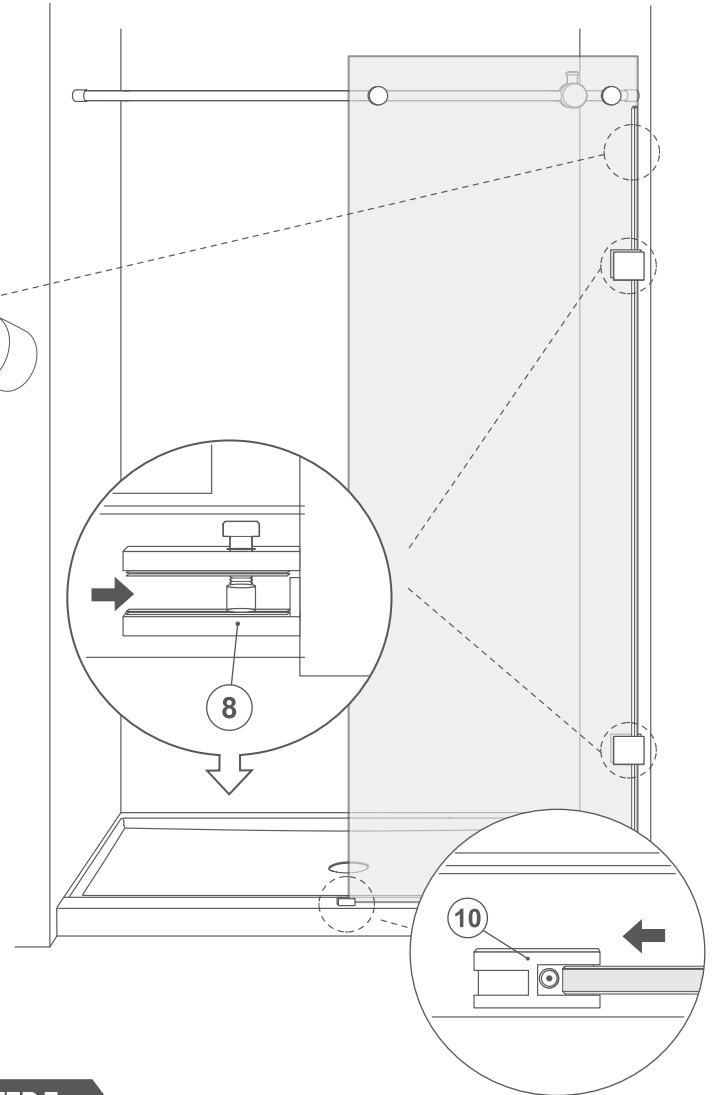
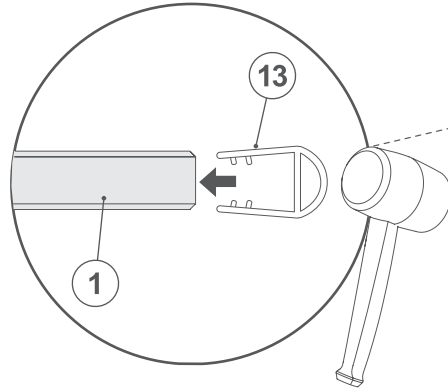
Next you must install the two stationary glass brackets **(6)** on the guide rail **(4)**. To do so, you must first drill the holes on the guide rail where the brackets must be installed. The image shows the distance at which you must drill each hole.

Note: Try to make the holes oval shaped in order to be able to make adjustments on the brackets before tightening them if necessary. Be sure to insert one of the door stoppers **(7)** into the guide rail before proceeding. It should rest between the two holes on the guide rail and can be adjusted later on.

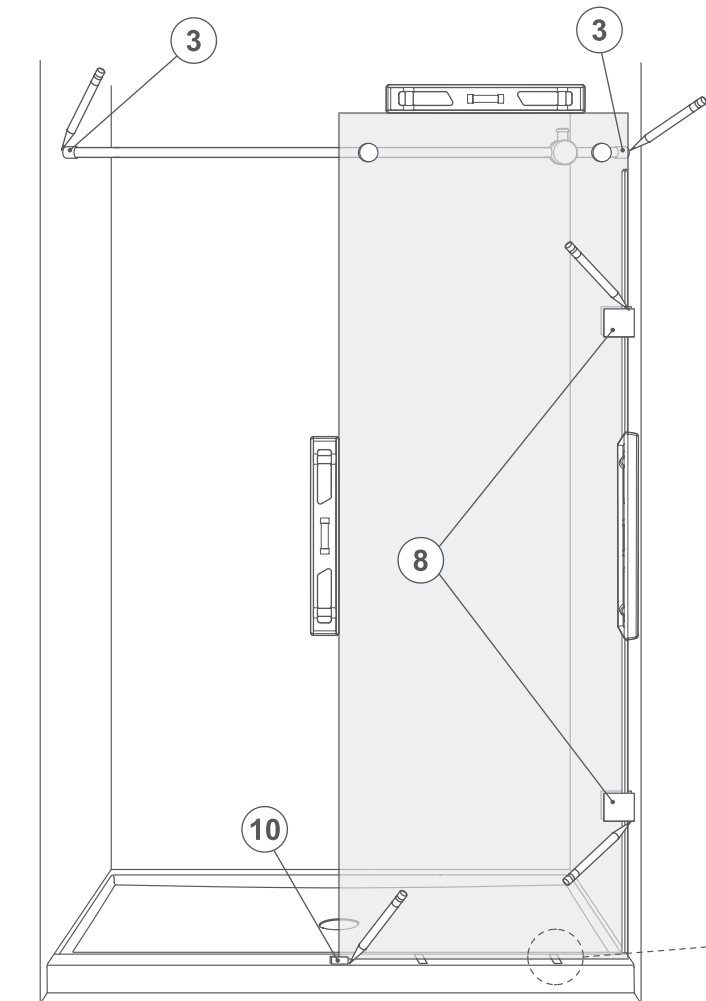
Once the openings have been made, slide the metal inserts into the guide rail and align with the holes. Screw the glass holders into the metal inserts and strongly tighten. Make sure both glass holders are 658mm apart from each other on center.

**STEP 4**

After attaching the glass holder brackets to the rail, insert them into the openings on top of the stationary glass. Tighten the cap on the brackets.



You should now have the stationary glass attached to the guide rail. Place the seal strip (13) on the stationary glass and proceed by installing the wall mount brackets (3), wall brackets (8) and threshold holder (10) on the stationary glass as shown on the figure:



**STEP 5**

Place the stationary glass, with the guide rail and wall brackets attached, into the wall opening where the shower door will be installed. Carefully place the stationary panel over 3mm shims and place it in the location where it will be installed.

Make sure the guide rail is completely leveled; add any additional shims if necessary for this.

When the stationary glass is in place, mark-off all of the hardware on the walls and floors. Make a mark around the wall mount brackets (3), wall brackets (8) and threshold holder (10). After this is done, remove the stationary glass from the wall opening and place it in a safe area.

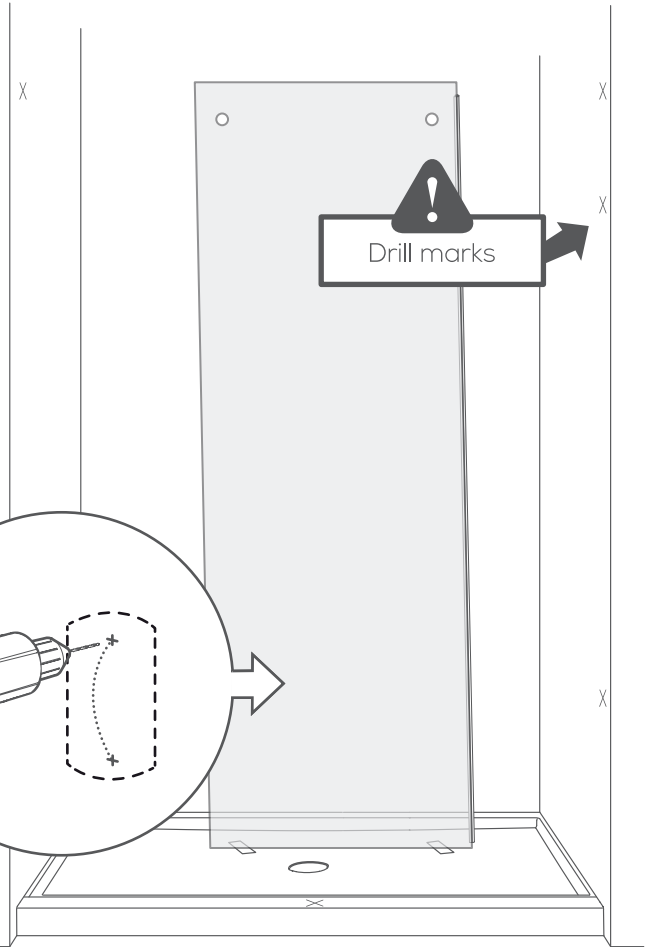
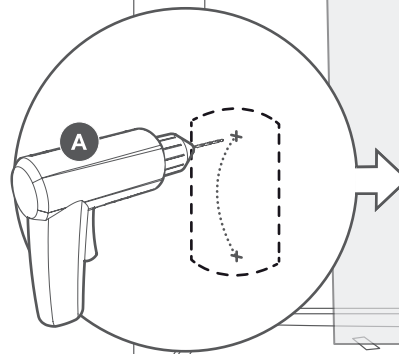
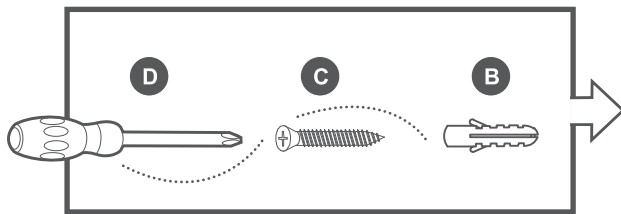
Shims 3mm

**STEP 6**

Remove all hardware from the stationary glass panel including the guide rail. Each piece of hardware should be marked on the walls and on the floor. This is where these accessories will be installed.

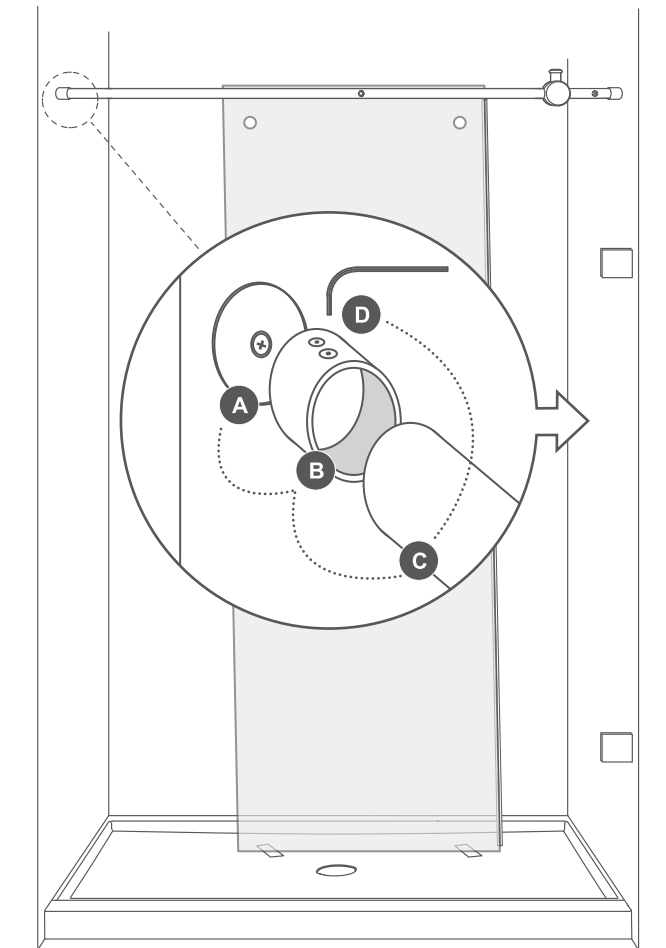
Each hardware piece is installed using a screw and a plastic wall anchor, and by marking each piece the user should be able to drill the corresponding holes in order to introduce the wall anchors.

Rehearse each piece of hardware on the marked areas and mark-off the position where the screw should be installed. After all screws are marked-off, drill the holes where screws will be placed. After this is done, clean the resulting rubbish and insert the plastic anchors on the holes.

**STEP 7**

Unscrew the flat plate from both wall mount brackets **(3)** and screw them into the wall.

Uninstall the guide rail from the stationary glass, making sure not to unscrew the piece with the metallic insert. After this is done fasten the female component of the wall bracket to the guide rail and install the guide rail by screwing the attached wall mount brackets into their male component.



**STEP 8**

Take off the cover from both wall brackets **(8)** and screw them into the wall using the provided screws.

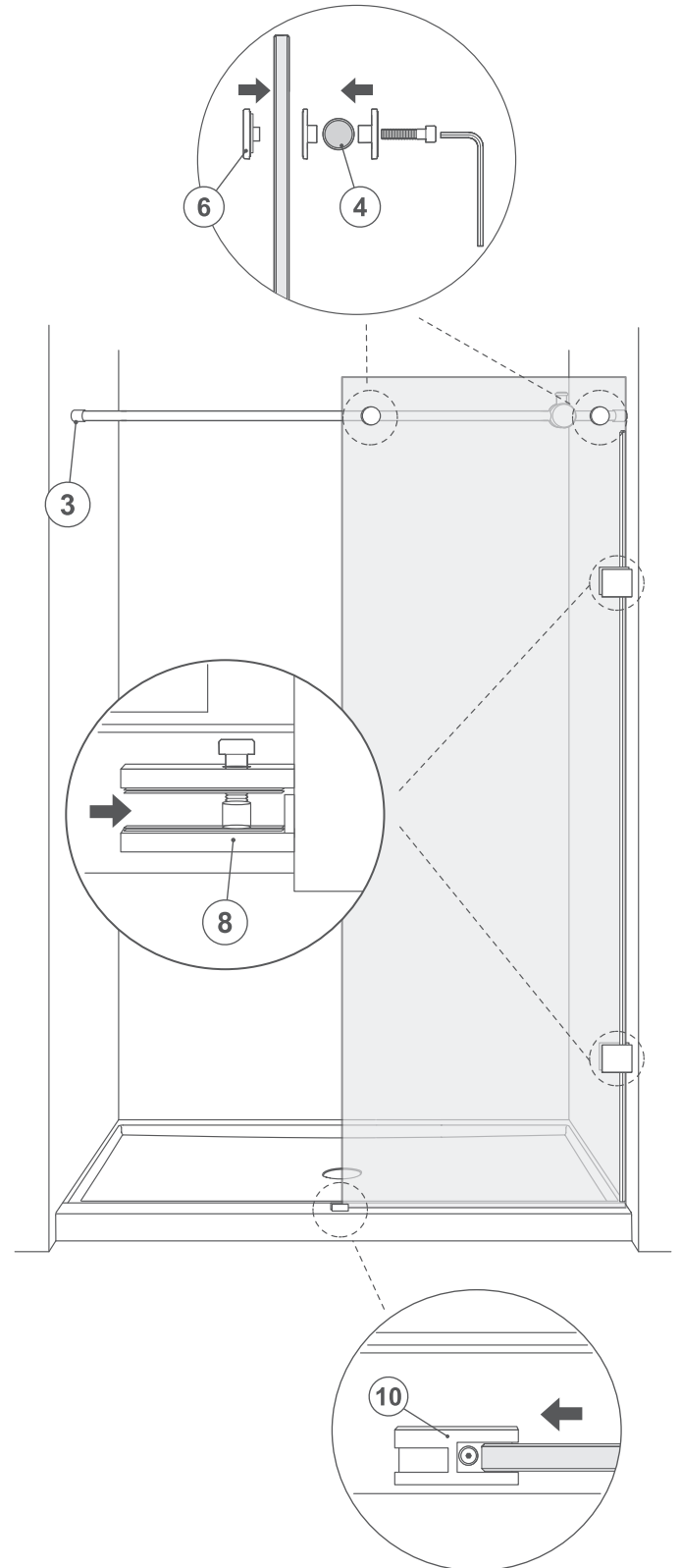
Now that the guide rail and the wall mount brackets **(3)** have been installed, carefully place the stationary glass into the stationary glass bracket **(6)** on the guide rail and fasten loosely. Be sure the threshold holder **(10)** is installed on the stationary glass before doing this.

The perforations on the stationary glass should align closely with the wall brackets **(8)**. Install the cover of the wall brackets through the perforations on the glass and tighten loosely.



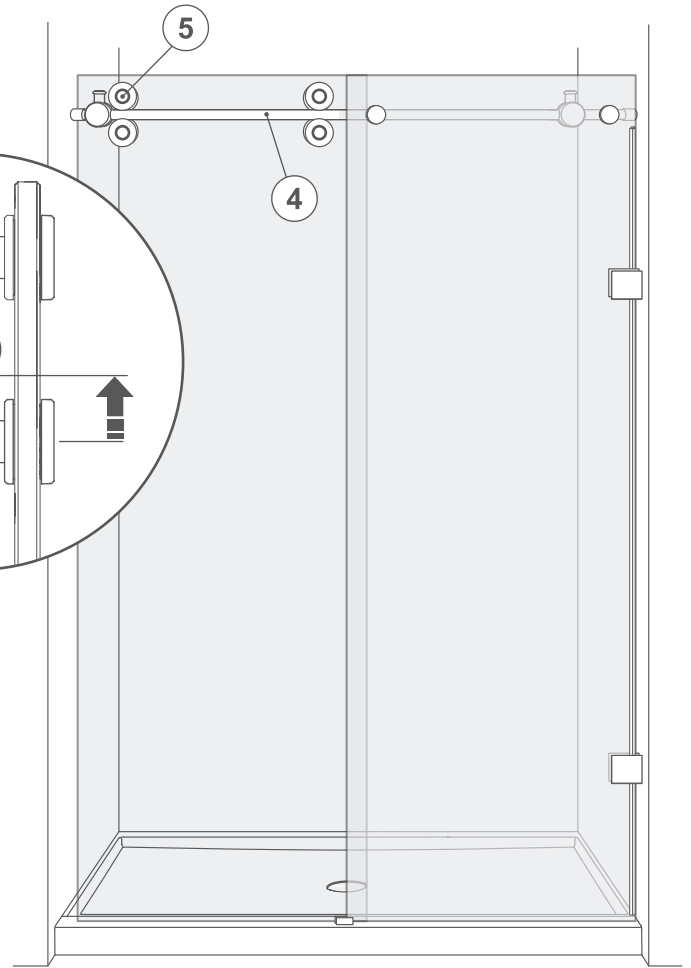
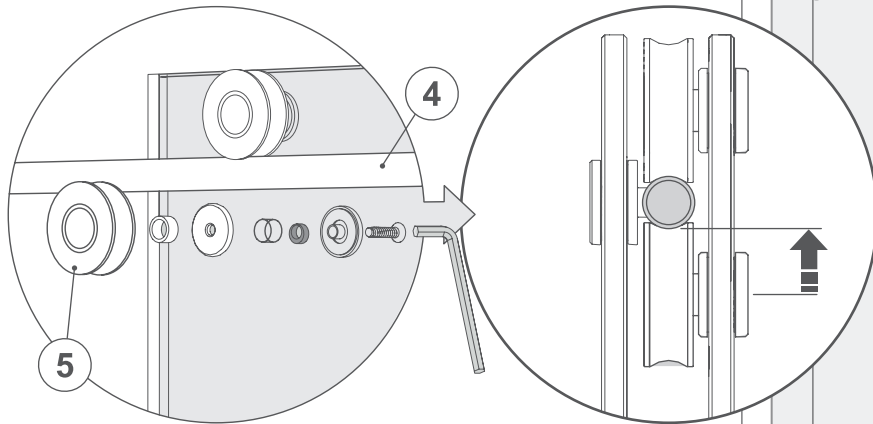
The glass brackets on the guide rail and the glass brackets on the wall are fastened loosely so that the position of the glass panel can be adjusted properly before tightening the whole system.

When the stationary glass panel is correctly leveled and positioned, you may tighten all of the brackets and continue with the glass door installation.

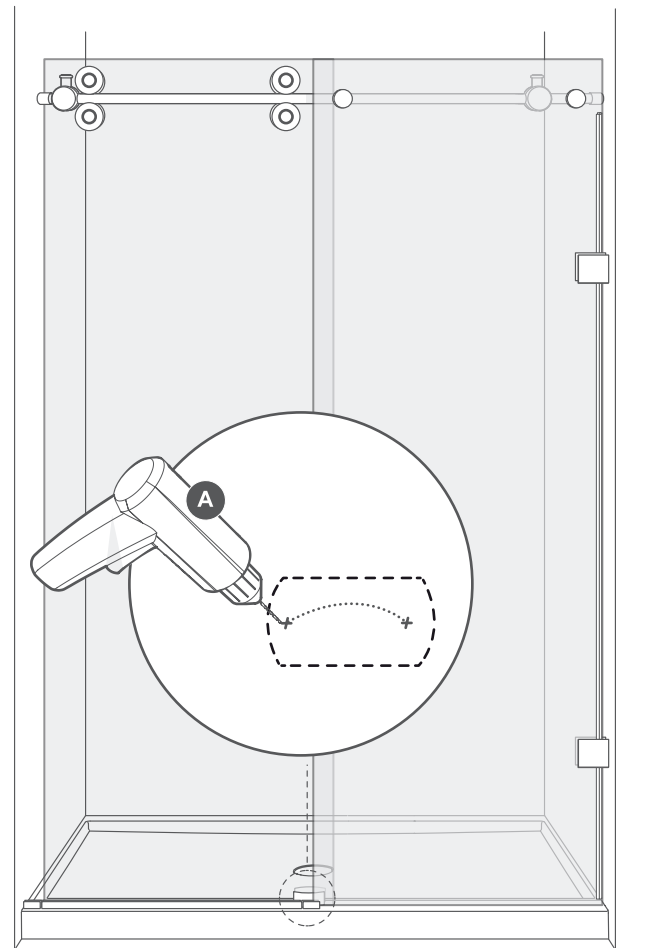


**STEP 9**

Install the top rollers (5) on the glass door by screwing the two components on both sides of the glass as shown on the figure below:



Hang the shower door on the guide rail using the previously installed rollers. If the walls are not completely vertical or an adjustment must be made to make the door fit properly, an adjustment can be made on the rollers. Simply loosen the hex screw with the provided Allen key on each roller and make the necessary adjustment.

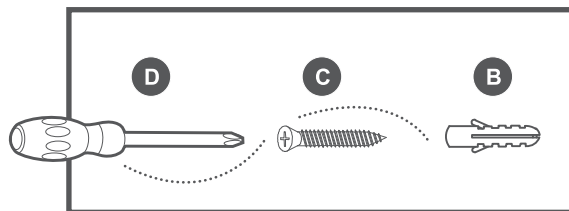


**STEP 10**

Once the glass door is properly mounted, install the second threshold holder on the floor by placing the item on the position where it should be installed and marking off the position of the screws on the floor. Be sure to align both threshold holders by trying out the position of the threshold and assuring it is perfectly parallel to the shower door.

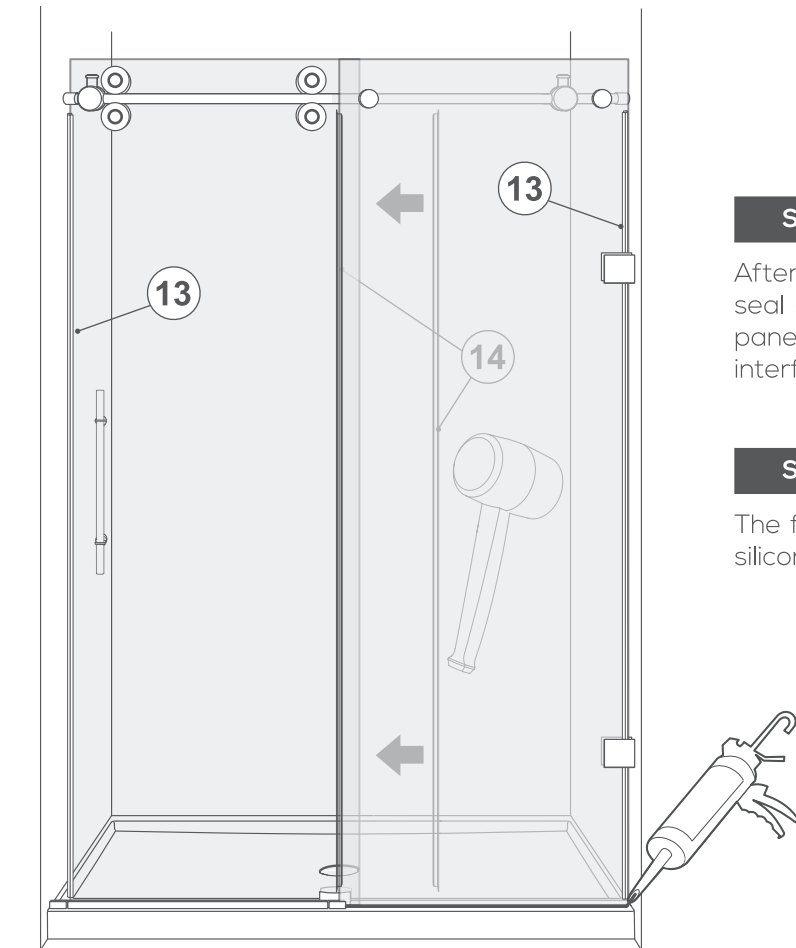
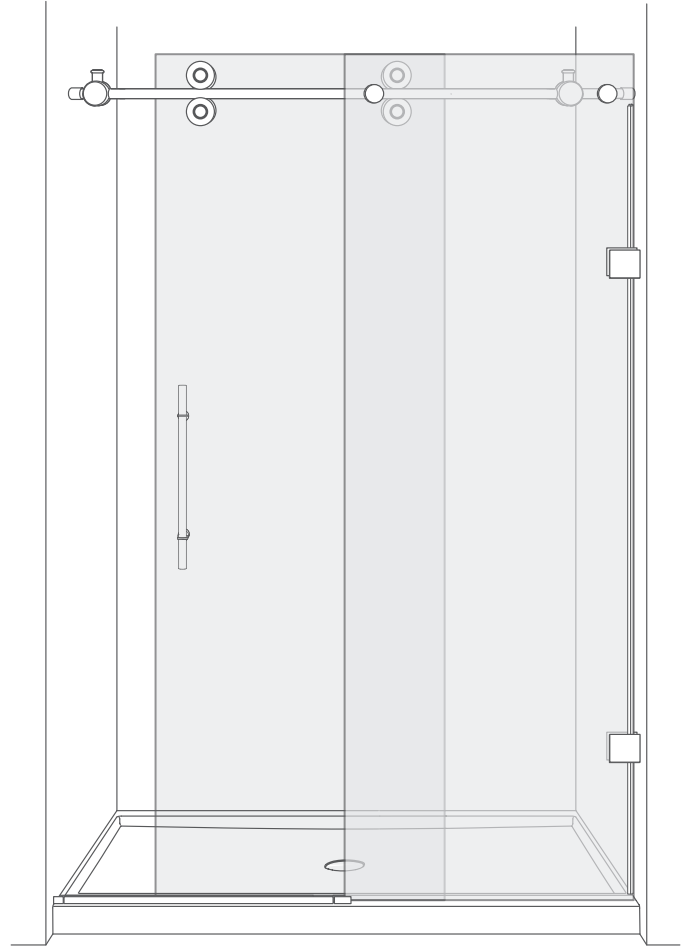
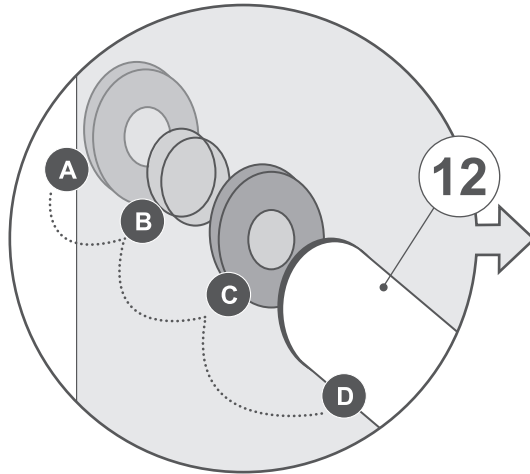
After marking off the position of the screws, drill the necessary holes and install the threshold holder using the provided screws and plastic anchors.

Apply silicon on the bottom of the threshold bar and install it between both threshold holders. Tighten the screws on the holders to clutch the threshold strongly.



**STEP 11**

For the handle installation unscrew both caps on the back of the handle. Place the handle on the shower door openings and screw the back caps to press the glass between them. Make sure the top cap is the largest piece as this is the one that acts as the handle on the inside of the shower.

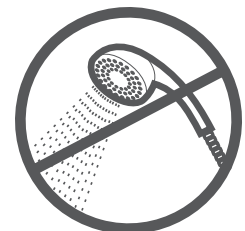


**STEP 12**

After installing all of the hardware on both glasses, place the seal strips **(13 & 14)** on the glass door and the fixed glass panel. Trim the flange in areas where the seal strip may interfere with the rollers or door stoppers.

**STEP 13**

The final step in installing the VitraShower is applying clear silicon around the fixed glass panel on the wall and the floor.



**24**  
HOURS