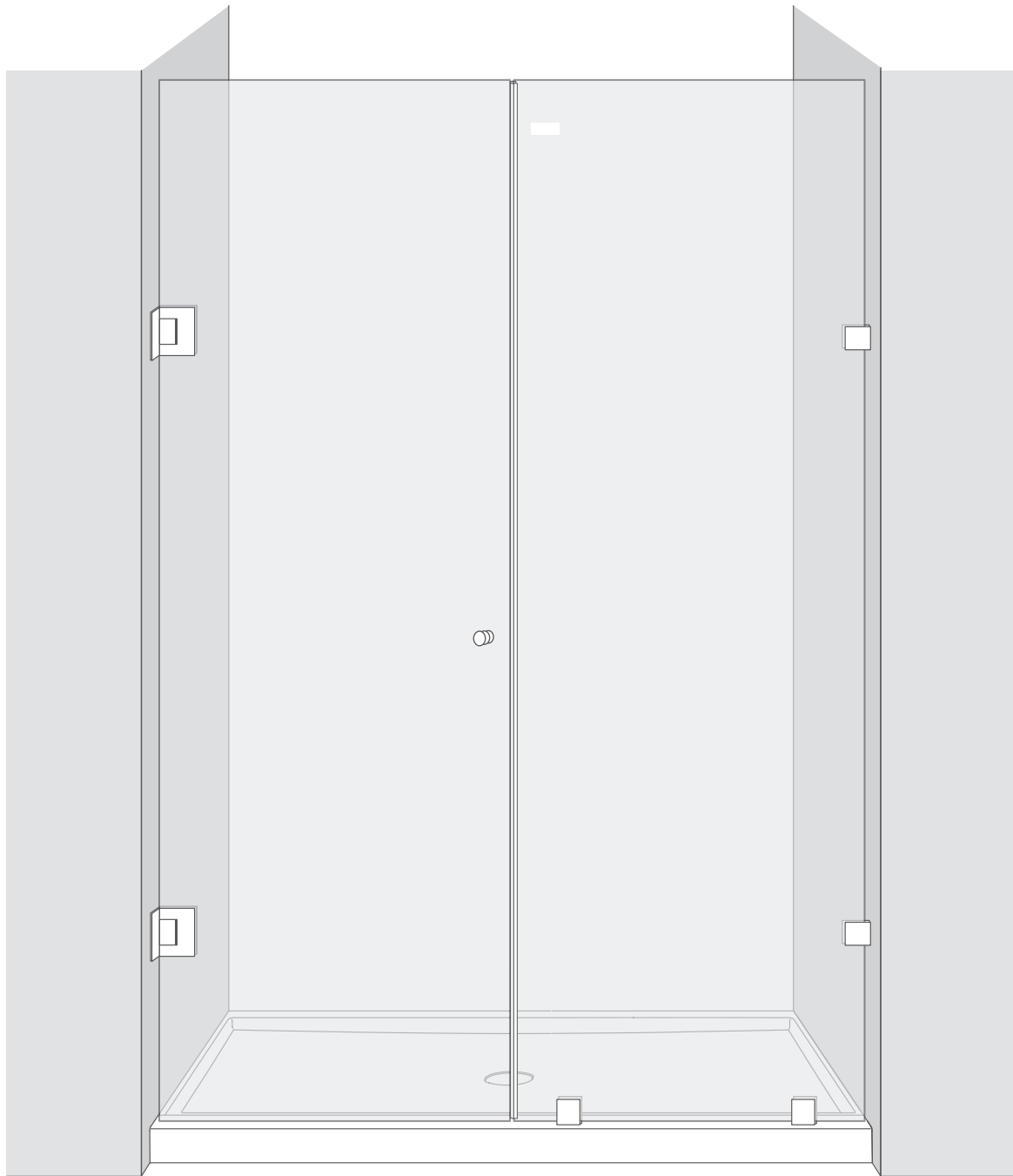
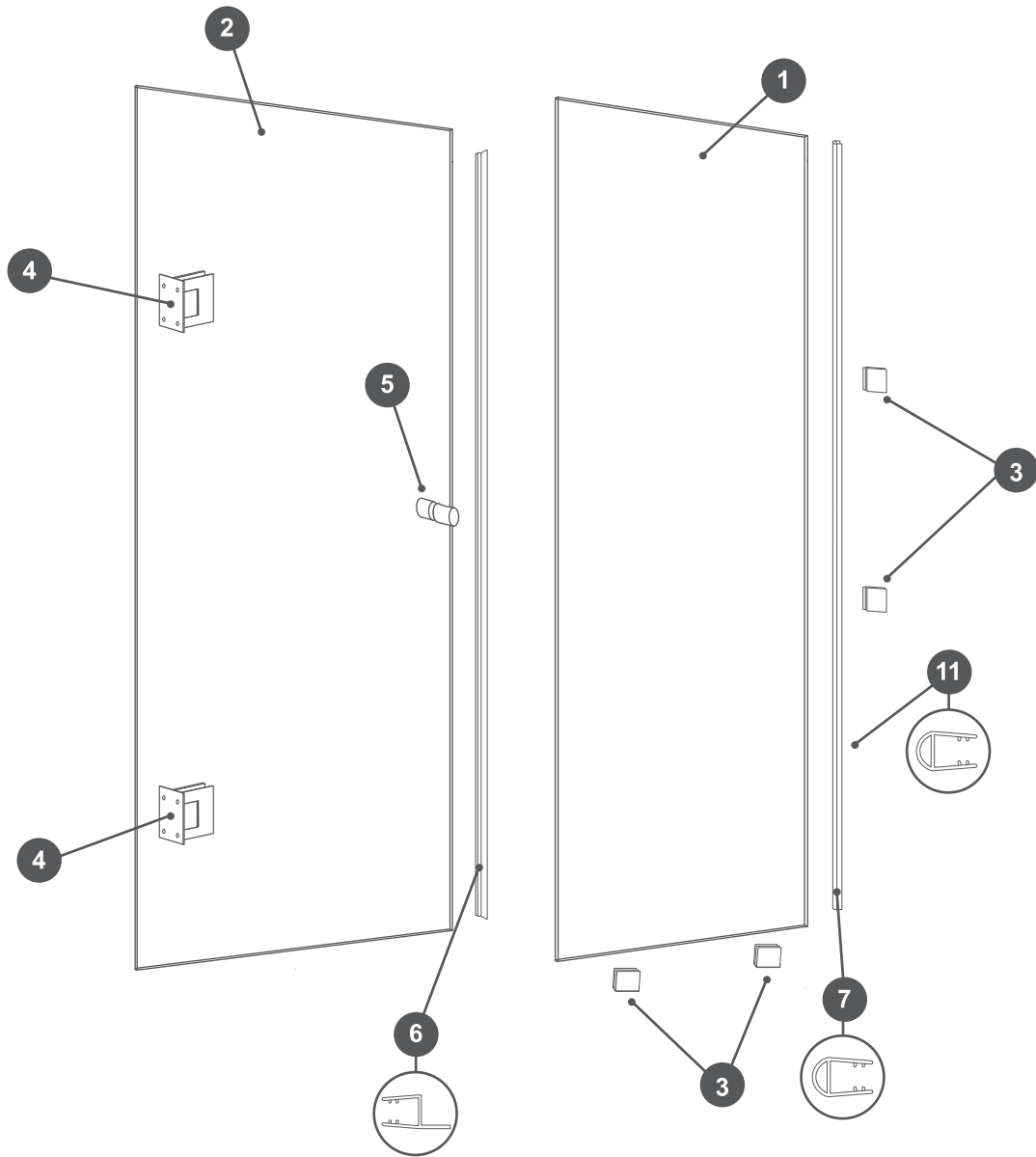


VITRA SHOWER S800

Shower Door Installation Guide



vitra
Shower



COMPONENTS

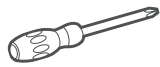
1 Stationary Glass Panel	2 Swing Glass Door	3 Wall Bracket	4 Hinges	5 Door Knob
6 Seal Strip 1	7 Seal Strip 2	8 Wall Anchor	9 Round head screw	



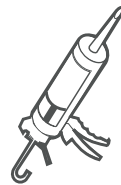
Tape Measure



Drill



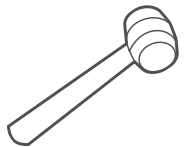
Screwdriver



Silicone



Safety Glasses



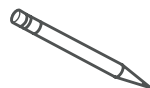
Mallet



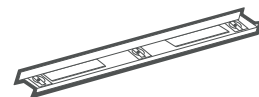
Cutting Plier



Drill Bits



Pencil



Level

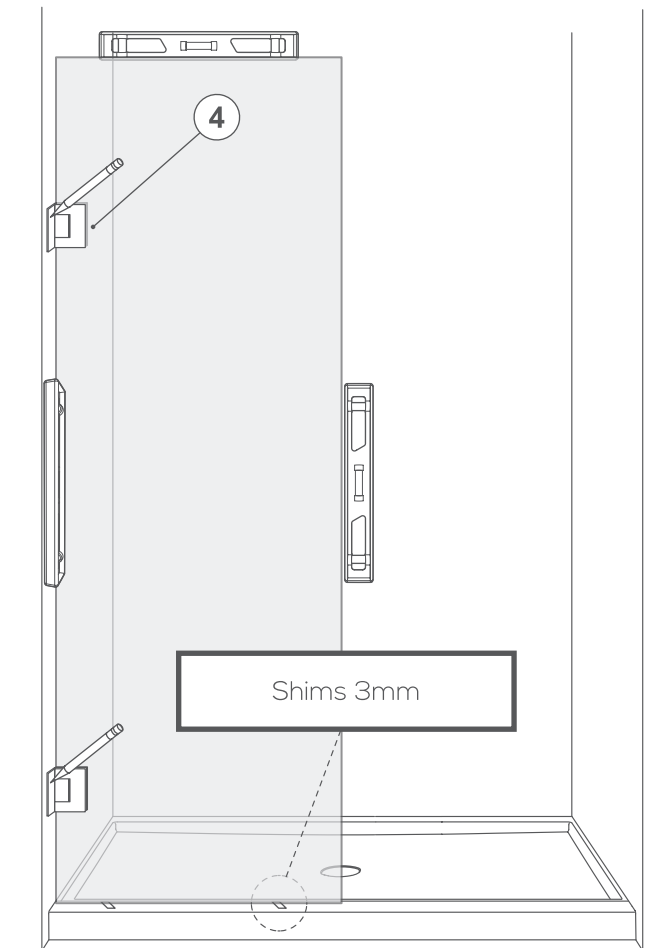
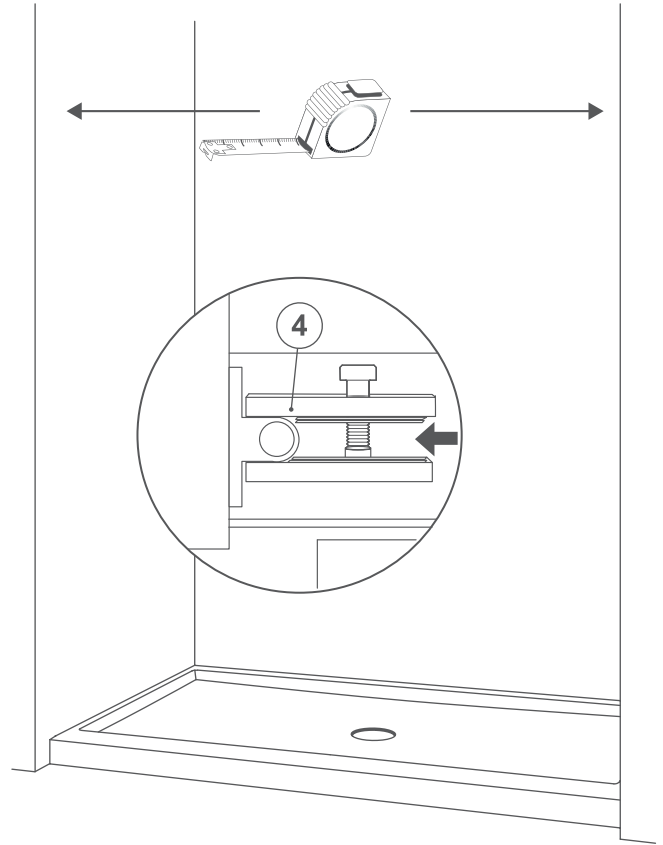
STEP 1

Measure the distance between the two walls where you wish to install your VitraShower door. This measurement should be the same as that of the shower door model you ordered. Up to 1 in. (2.54cm) out of plumb installation is possible.

STEP 2

Attach the two hinges **(4)** on the swing door. Do so by removing the cover off of each hinge and inserting the openings on the glass door between the two components as shown in the figure below:

Avoid placing the glass door directly on the floor to reduce the chances of glass breakage. Always use a piece of wood, plastic shims or cardboard between the glass and the floor.



STEP 3

Place the shower door on the wall opening over 5mm shims and mark-off the position of the hinges on the wall. Using a level, make sure the door is plumb before marking the wall.

Carefully remove the shower door and uninstall both hinges from it. Drill the holes for the wall anchors **(9)** on the wall where the two hinges will be installed. Remove the debris from the holes and install the wall anchors on it and attach the hinges to the wall using the provided screws.

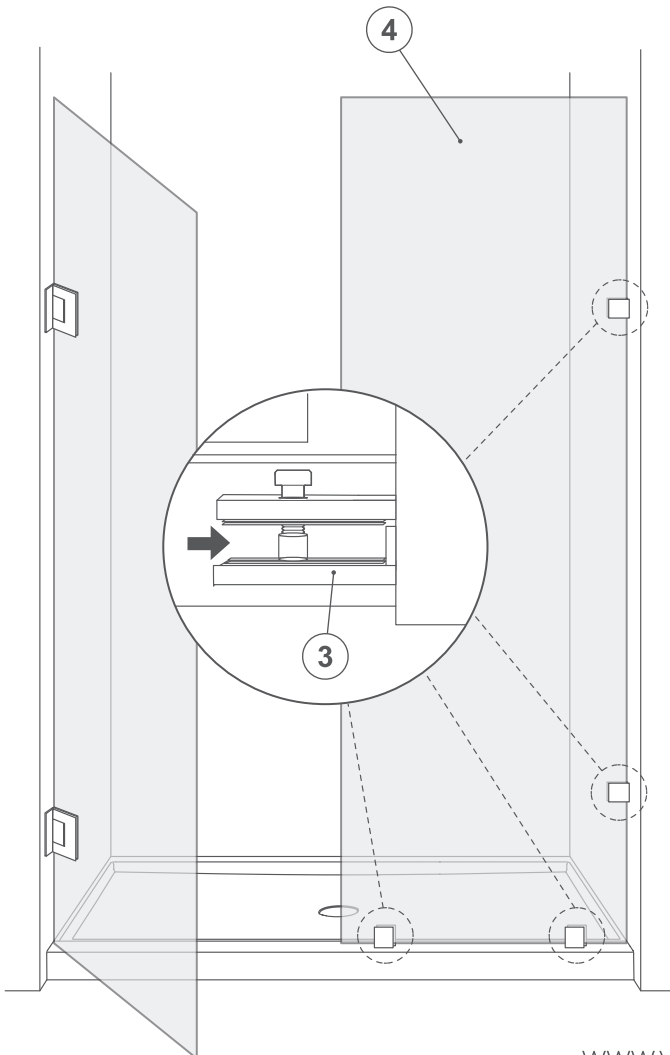
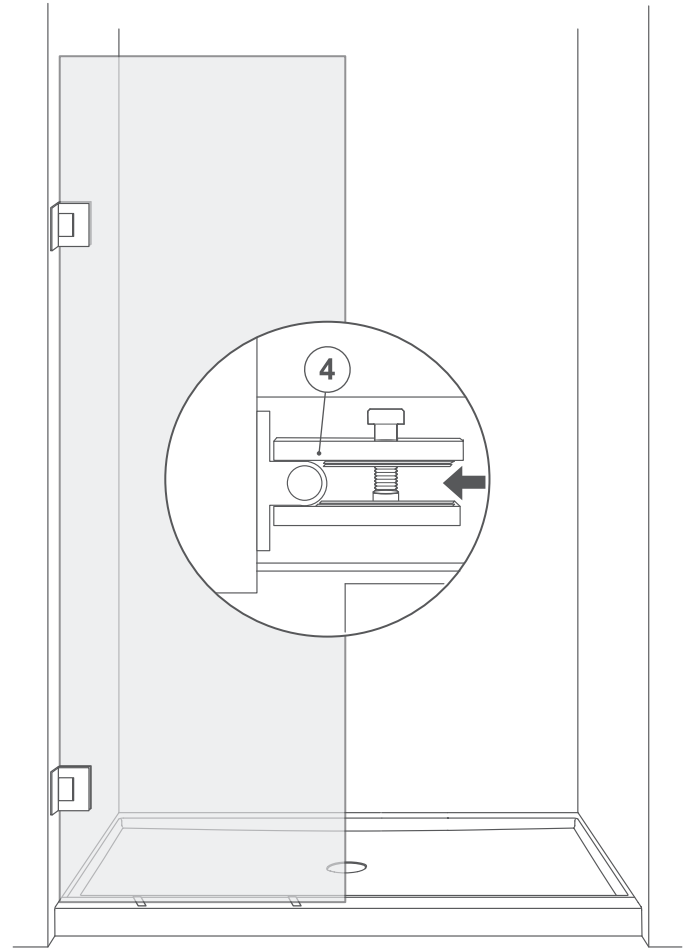
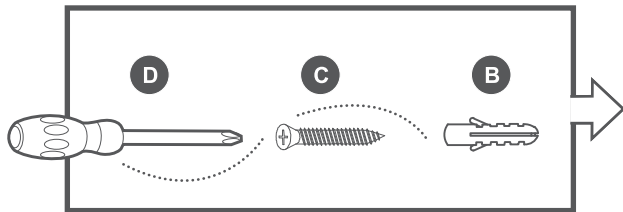


The hinges must be installed on a sturdy structure such as a stud or thick piece of wood. VitraShower doors have a weight of over 20kg and must be correctly anchored to a strong wall structure.

STEP 4

Unscrew the cover plate from the hinges and place the glass door into the anchored hinge component (keep using the 5mm plastic shims below the door).

After the door is correctly aligned and in its final position, screw the cover plate back onto the hinge while clamping the glass between them. If the door is not parallel to the wall or it is not evenly supported, unscrew the cover plate and make the necessary adjustments.



STEP 5

After correctly installing the shower door, the stationary glass panel (1) must be installed. Install the four glass brackets (3) on the stationary glass. Place the stationary glass in the wall opening beside the shower door, be sure to use 1mm shims beneath the glass panel.

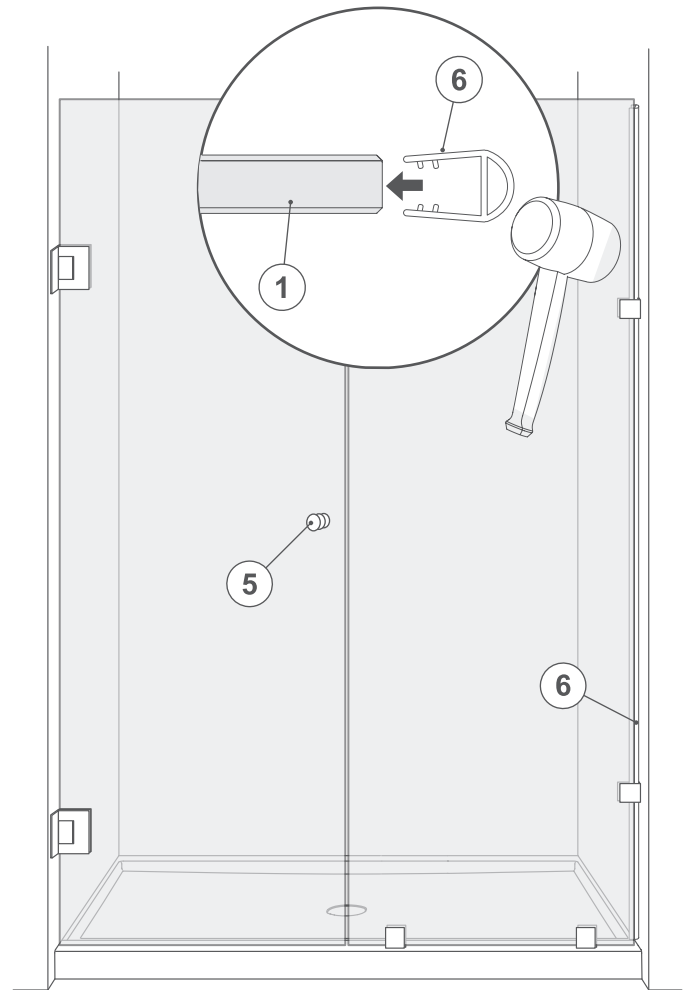
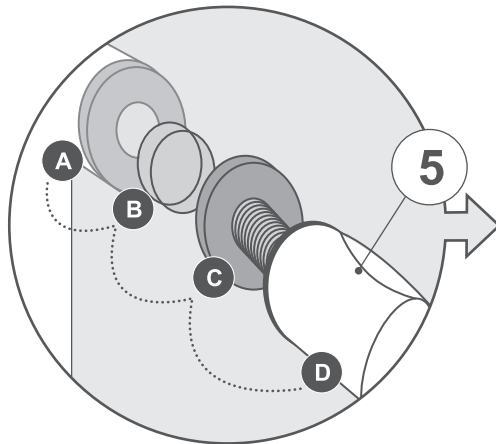
After making sure the stationary glass panel is perfectly plumb and aligned with the shower door, mark-off the position of the 4 glass brackets on the wall and the floor. Carefully remove the glass panel from the opening and uninstall the glass brackets. Remove the cover plate from each one of the glass brackets and mark-off the position of the screws on the wall and the floor.

Drill the holes for each of the screws and install the wall anchors (9) on each hole. Place the glass brackets in position and install them with the provided screws.

STEP 6

Place the seal strip 1 (6) on the glass panel and put it into place where the glass brackets where it will be installed. Once the glass panel is plumb and aligned with the shower door, tighten the cap on the brackets while clamping the glass between them.

For the door knob (5) installation unscrew the cap on the back of the knob. Place the Door knob (5) on the shower door opening and screw the back cap to press the glass between them.

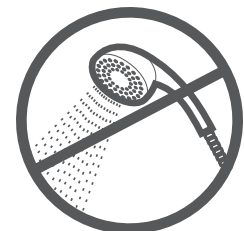
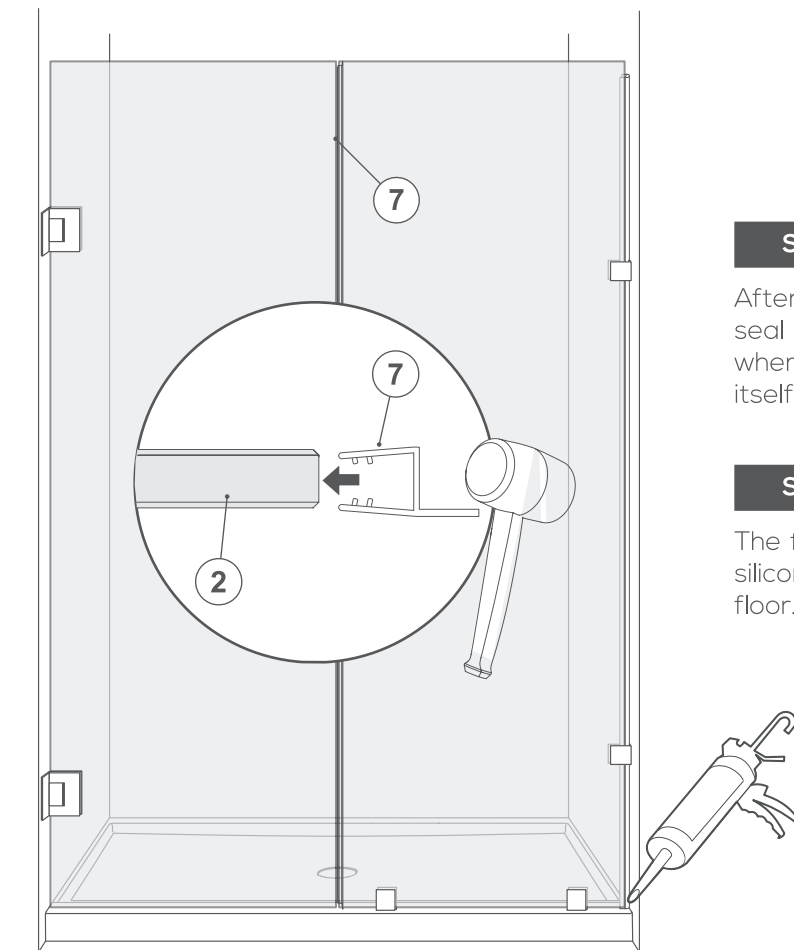


STEP 7

After installing all of the hardware on both glasses, place the seal strip 2 (7) on the glass door. Trim the flange in areas where the seal strip height is larger than the shower door itself.

STEP 8

The final step in installing the VitraShower is applying clear silicone around the fixed glass panel on the wall and the floor.



24
HOURS